

HMF 50-T



- power to lift.

HMF T-Boom Range Loader 50-T

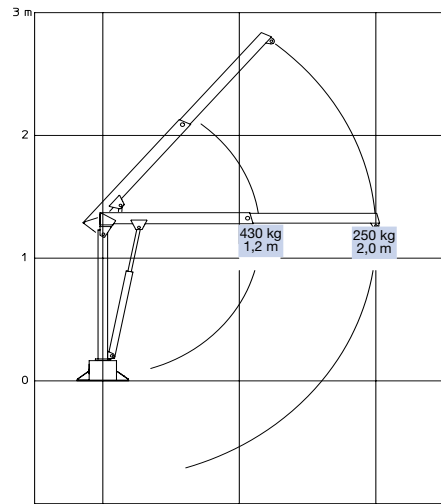
50-T – the small Giant

- A compact loader with low tare weight
- Simple and safe operation
- Lifts 430 kg at 1.2 metres
- Also available as standard model with winch
- Few wearing parts
- Ideal for fitting in vans
- Fixed or separate stabilizer legs available as optional extra

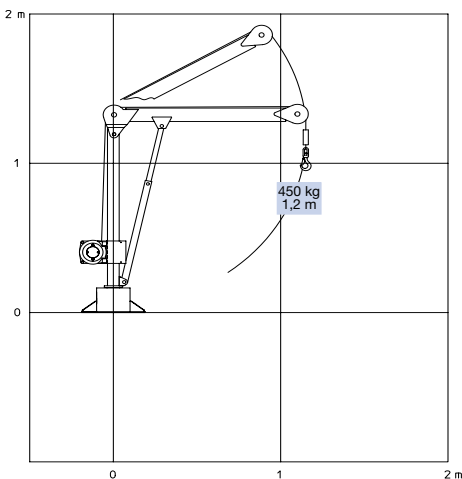
| Loading group B2 | | 50-T-M |
|--------------------------------|-------------------------------|-----------------------|
| Load moment | tm | 0.5 |
| Lifting capacity at min. reach | m/kg | 1.2 - 430 |
| Lifting capacity at max. reach | m/kg | 2.0 - 250 |
| Slewing angle | ° | 360 |
| Height above chassis | mm | 1230 |
| Max. lifting height above base | m | 3.20 |
| Hand pump | cm ³ /doub. stroke | 12 |
| Working pressure | MPa | 18.5 |
| Tank | | In separate hand pump |
| Weight | kg | 62 |

| Loading group B2 | | 50-T0 with winch |
|--------------------------------|------|------------------|
| Lifting capacity at max. reach | m/kg | 1.2 - 450 |
| Height above chassis | mm | 1270 |

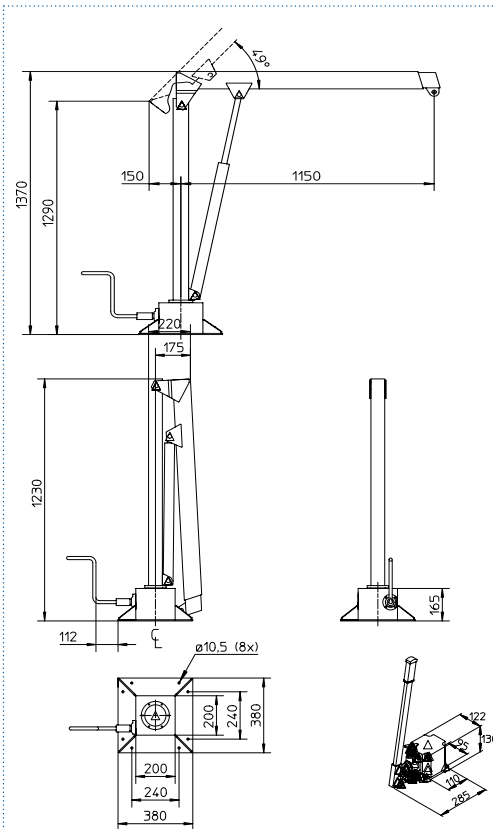
HMF 50-T



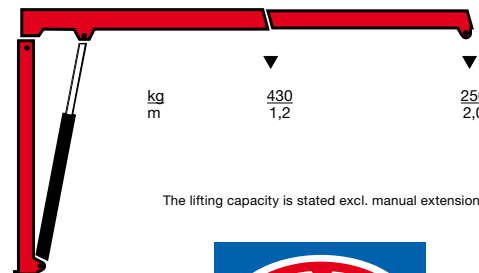
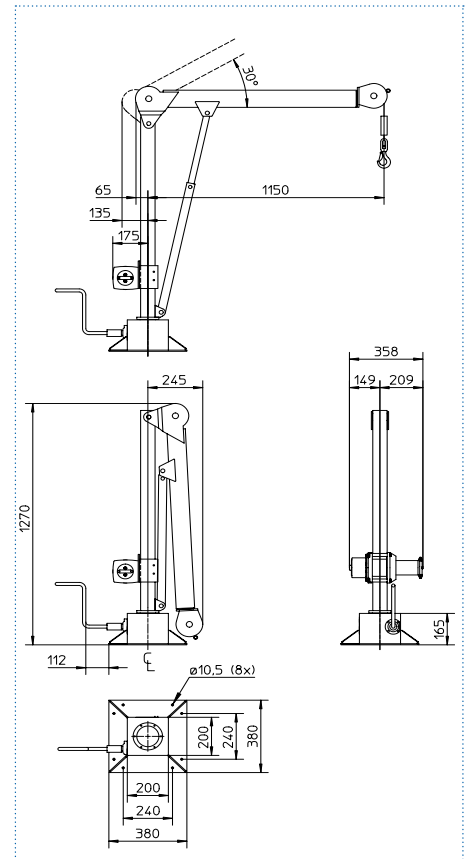
HMF 50-T0 with winch



HMF 50-T



HMF 50-T/TO with winch



The lifting capacity is stated excl. manual extensions



Z008030-3

We reserve the right to introduce improvements and modifications

Højbjerg Maskinfabrik A/S • Oddervej 200 • DK-8270 Højbjerg
Tel.: +45 8627 0800 • Fax: +45 8627 0744 • info@hmf.dk

www.hmf.dk